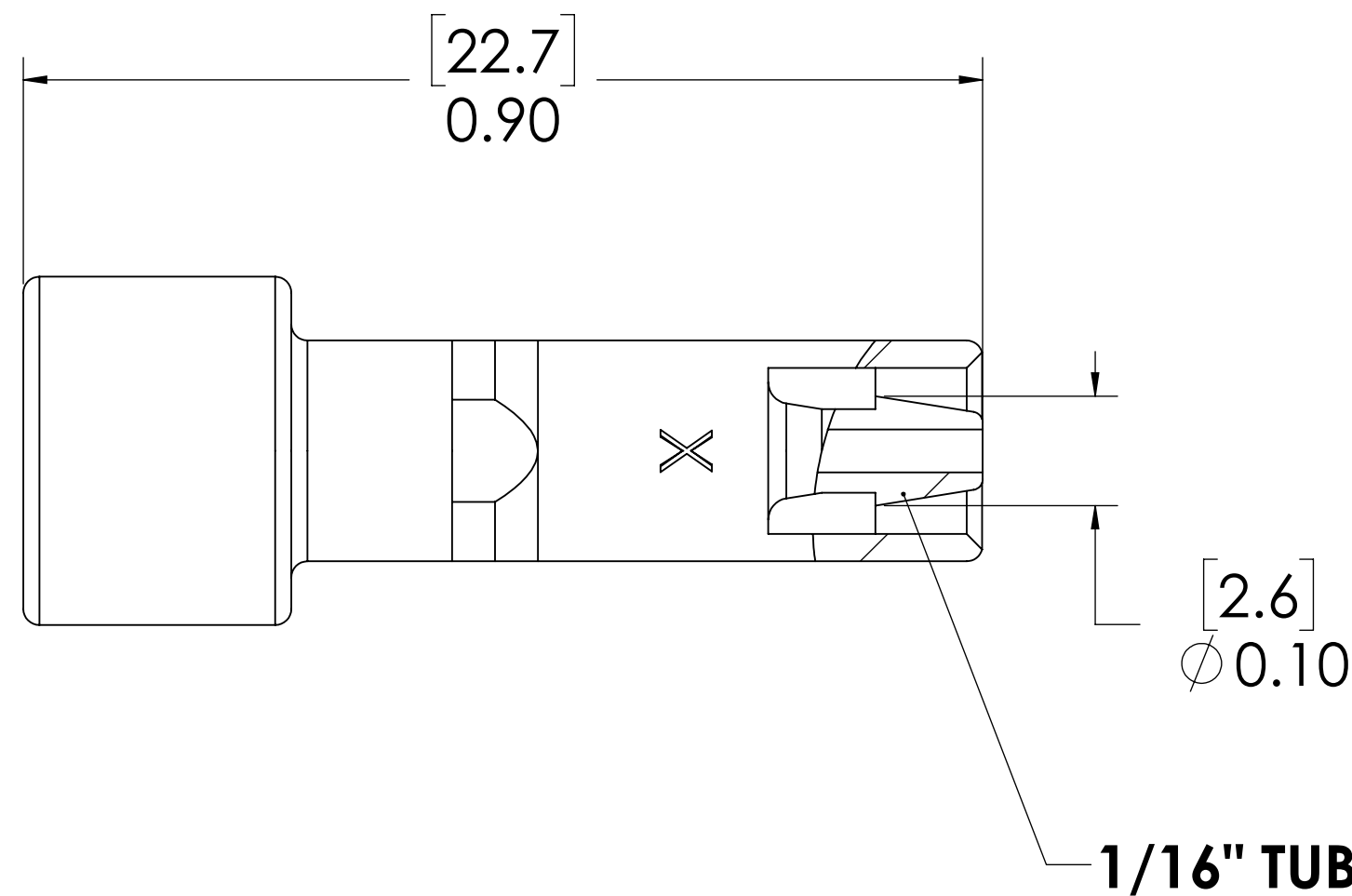
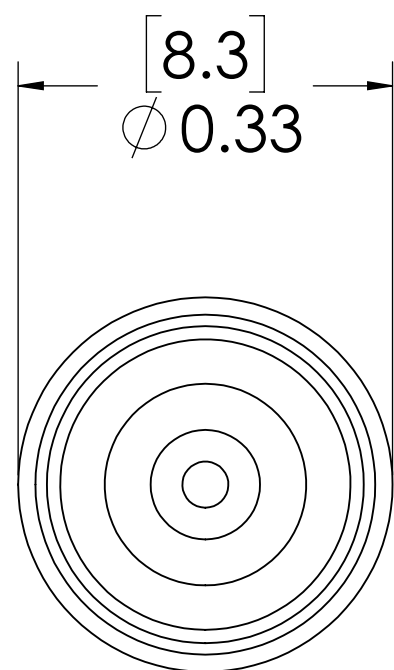
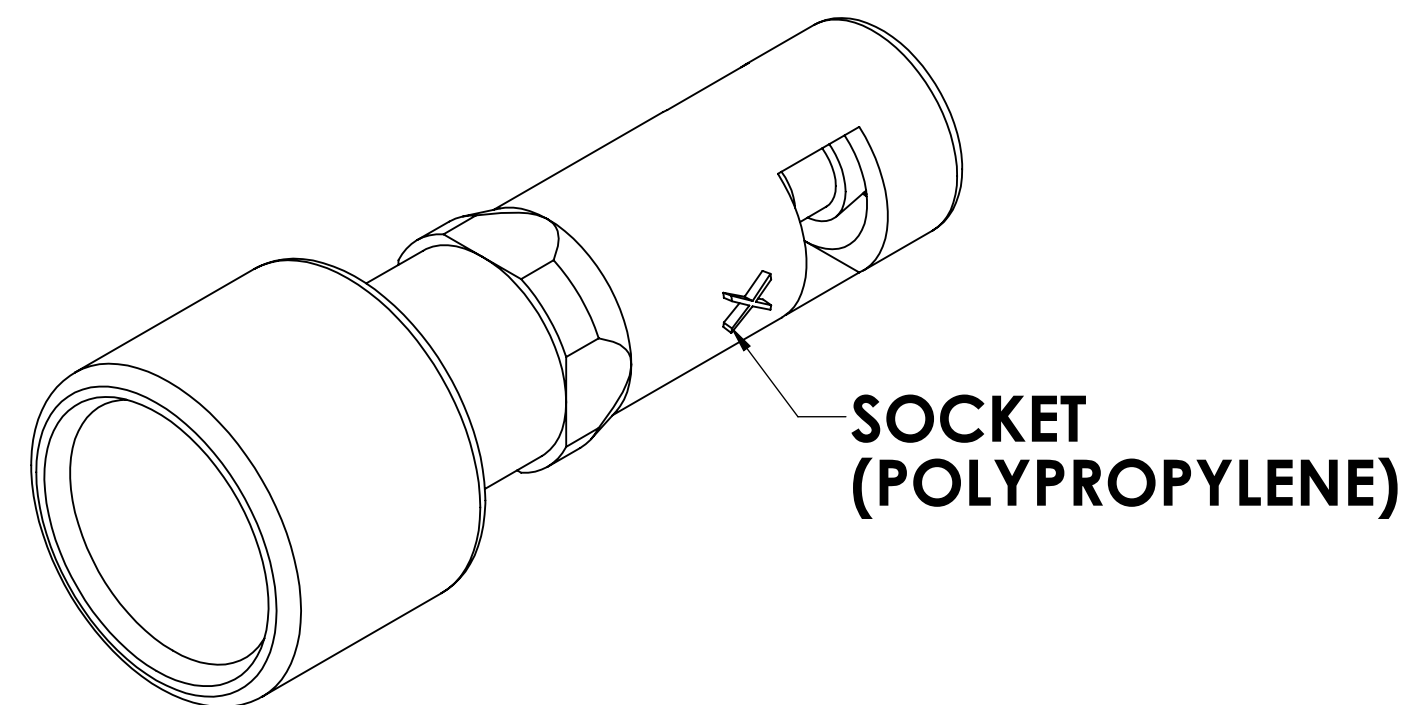


REVISIONS						
SHEET	ZONE	REV.	ECO	DESCRIPTION	DATE	APPROVED
ALL	ALL	A	50253	FORMAT UPDATE	3/29/2019	HRC



FOR REFERENCE ONLY

NOTES:

- MATERIAL: POLYPROPYLENE, BARREL: ACETAL
- COLOR: ALMOND

UNLESS OTHERWISE SPECIFIED: DIMENSIONS ARE IN INCHES TOLERANCES: FRACTIONAL ± 1/32 ANGULAR: MACH ± 0.5 BEND ± 2 ONE PLACE DECIMAL ± 0.1 TWO PLACE DECIMAL ± 0.01 THREE PLACE DECIMAL ± 0.005 TWO PLACE DUAL (mm) [± 0.12]	DRAWN	RDA	3/18/2019		
	CHECKED	HRC	3/18/2019		
PROPRIETARY AND CONFIDENTIAL THE INFORMATION CONTAINED IN THIS DRAWING IS THE SOLE PROPERTY OF LINKTECH LLC. ANY REPRODUCTION OR DISCLOSURE IN PART OR AS A WHOLE WITHOUT THE WRITTEN PERMISSION OF LINKTECH LLC IS STRICTLY PROHIBITED.	ENG APPR.	HRC	3/29/2019	PART NO: 10PP-S2-01NS	
	MFG APPR.	BDB	3/29/2019	DESCRIPTION: LinkTech 10PP Series Straight Female, Non-valved, 116 HB, No Sleeve, Polypropylene	
	Q.A.	BDB	3/29/2019	SIZE DWG. NO. REV C 10PP100024 A	
COMMENTS:			SCALE: NTS	WEIGHT:	SHEET 1 OF 1